



Follow Installation Site Acceptable and Prohibited use Guidelines
This Tekno S1 is not Suitable for Petrol Stations and Blasting Sites
The Tekno S1 must be encased in a waterproof enclosure when used outdoors

Specifications

- Power: 9-36V DC
- Consumption: <45mA Standby, <130mA Initialisation and calling
- Relay Switching Capacity: 3A/240V AC (NO/NC)
- Sim Card Size: Nano
- Network: 4G TDD: 2300(B40)>FDD 2100(B1)/1800(B3)/2600(B7)/900(B8)/1900 (B2)/1700(B4)/850 (B5)/700APT(B28)
- 3G 2100(B1)/1900(B2)/850(B5)/90038)
- Operating Mode: Secure/Public
- Maximum Users: 200 in Secure Mode

Quick Setup Method 1: Anyone with phone number of the device can operate the gate

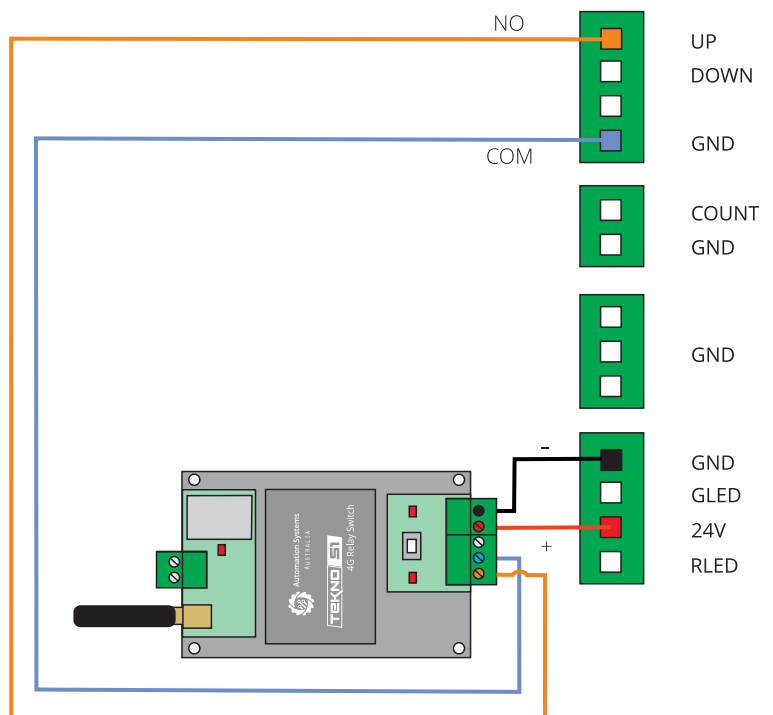
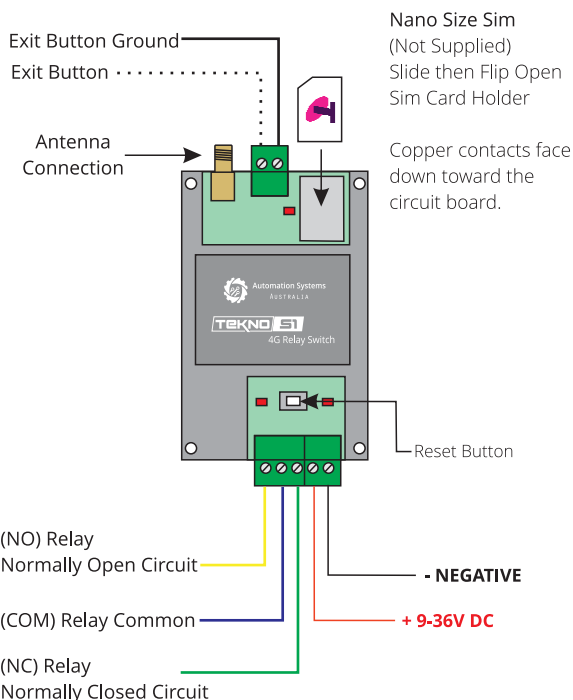
1. Install the sim card and antenna
2. Power on 9-36V DC.
3. wait for the run light and signal light flash every 2 seconds
4. Trigger the operation by sending the SMS command 1234#ACTIVE# and wait reply
5. send 1234#AA# allow all phone number can calling to active the relay.
6. calling the device sim card phone number.
7. Send 1234#FBN# and 1234#N# to stop SMS return messages

Quick Setup Method 2: Authorized users only

1. Install the sim card and antenna
2. Power on 9-36V DC.
3. wait for the run light and signal light flash every 2 seconds
4. Trigger the operation by sending the SMS command 1234#ACTIVE# and wait reply
5. Add admin :1234#TELO4xxxxxx#DEF#
6. Add users : 1234#NORTELO4xxxxxx#DEF#
7. Add ADDITIONAL users : 1234#NORTELO4xxxxxx#DEF#
8. Send 1234#FBN# and 1234#N# to stop SMS return messages

Quick Overview

SENTRY Boom Gate Controller

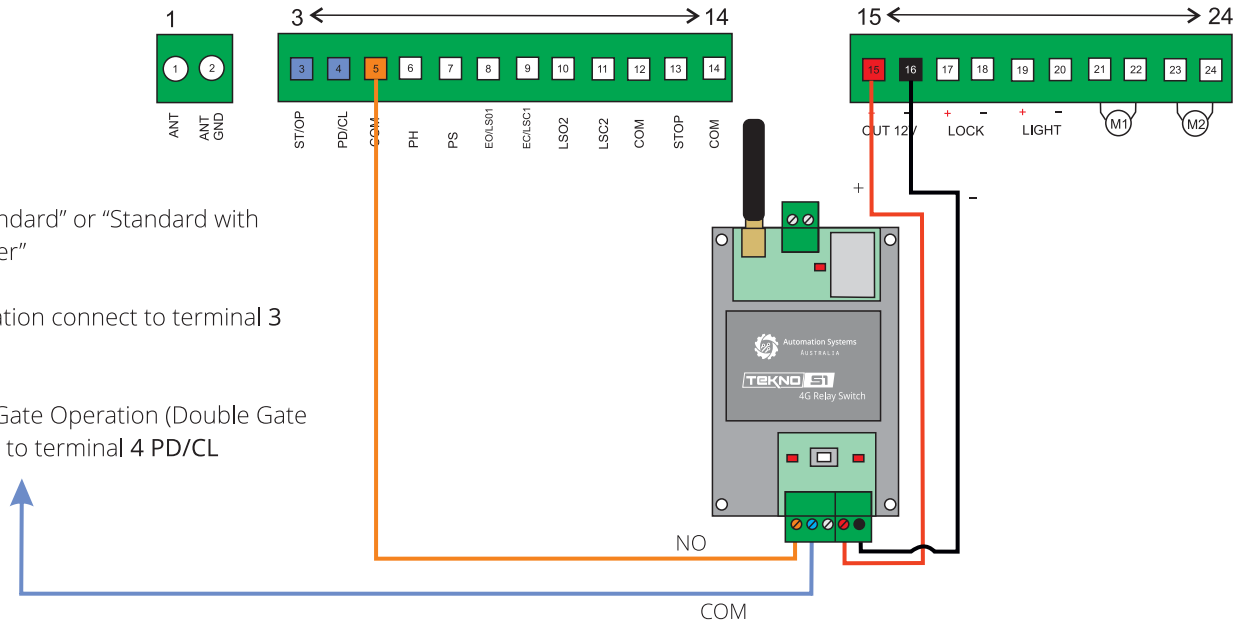


Premier SW24 Swing Gate Controller

Using Logic Mode "Standard" or "Standard with Automatic Closing Timer"

For Double Gate operation connect to terminal 3 ST/OP

For Single/Pedestrian Gate Operation (Double Gate Systems Only) connect to terminal 4 PD/CL

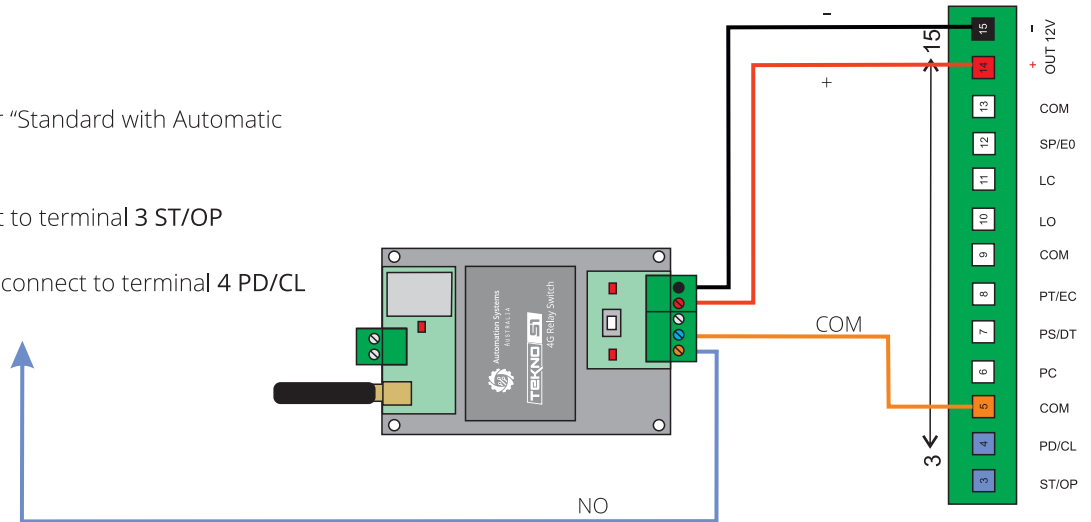


Premier SL24 Sliding Gate Controller

Using Logic Mode "Standard" or "Standard with Automatic Closing Timer"

For Full Gate operation connect to terminal 3 ST/OP

For Pedestrian Gate Operation connect to terminal 4 PD/CL



Premier SL240AC Sliding Gate Controller

For Full Gate operation OPEN and CLOSE connect to terminal START 19

For OPEN Gate Operation ONLY connect to terminal OPEN 21

For CLOSE Gate Operation ONLY connect to terminal CLOSE 20

