



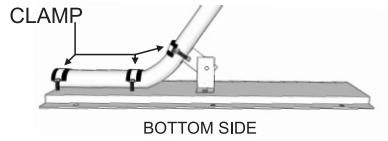
Automation Systems

A U S T R A L I A



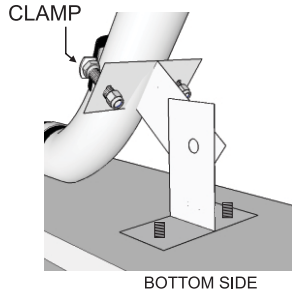
Simplified Installation Guide for 22/262AH Premier Solar System Assembly

Step 1: Solar Panel Assembly



1. Install the curved end of the post to the narrow plate using the supplied pipe clamps, nuts, bolts and washers.

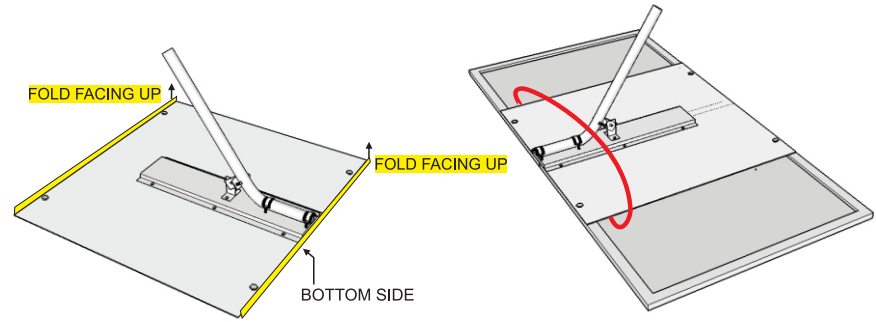
The bolt head should be on the bottom side with the threads facing upwards.



2. Install one T Section to the narrow plate, The bolt head should be on the bottom side with the threads facing upwards.

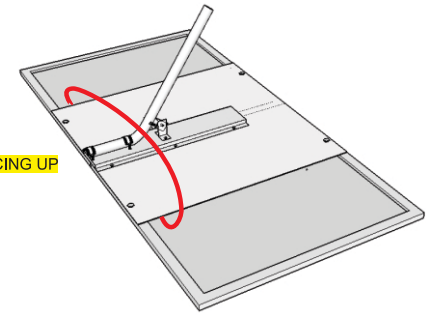
Install the other T Section and the other to the round post.

To install to the round post use another supplied pipe clamp



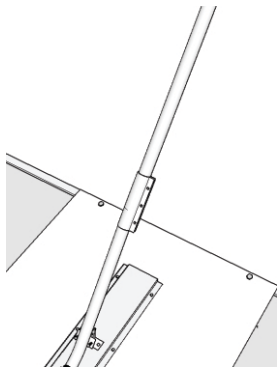
3. Install the larger plate to the narrow plate. The Fold of the plate should be facing upwards.

The bolt head should be on the bottom side with the threads facing upwards.



4. Install the solar panel to the large plate, the linking cable will remain on the outside, the large plate will slide within the loop.

In this step ONLY the bolt head should be on the top side with the threads facing towards the solar panel.



5. Install the extension band and extension post



6. Install to fence post or pier using the supplied pipe clamps.

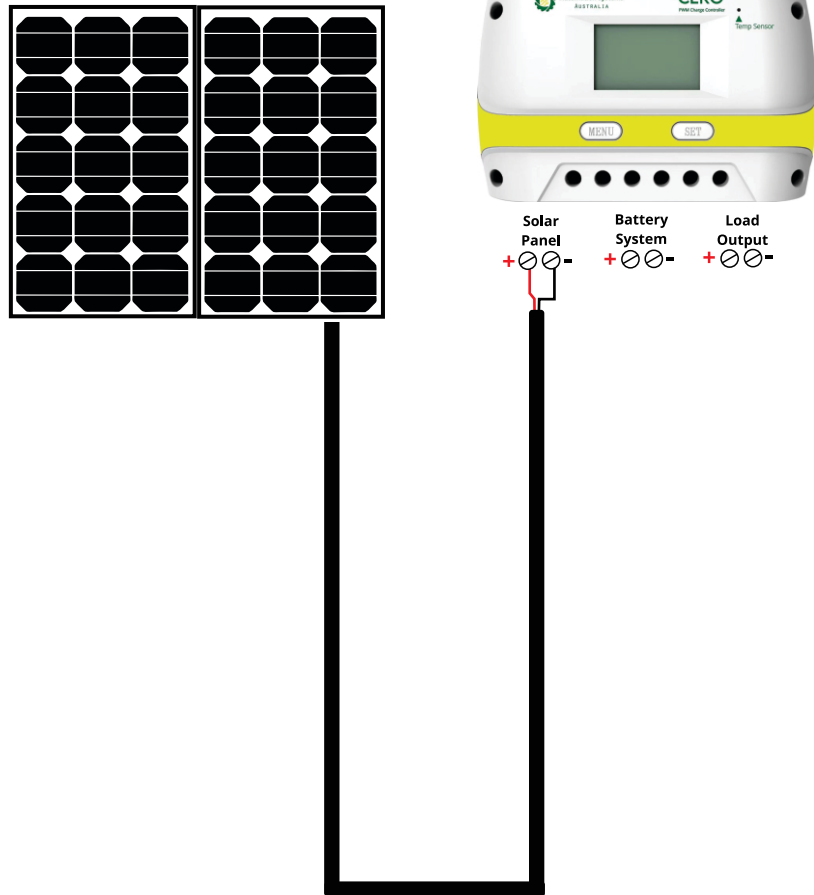
1. A solar panel CANNOT be installed under a tree, it requires sun to charge and maintain the batteries.

2. A solar system is often maintenance free BUT the batteries may require an external charge in the winter months due to lack of sun (rare).

3. Constantly powered accessories such as wired keypads will increase the standby current draw, solar panel or battery upgrades may be required if sufficient collection is not achieved.

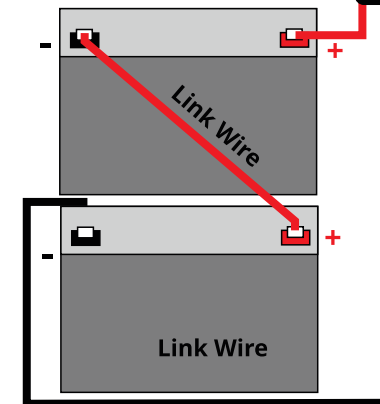
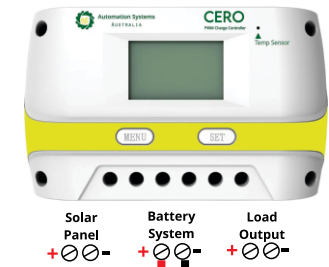
Step 2: Solar Panel Connection

Solar Panel connects into the Solar Panel connection port on the regulator.

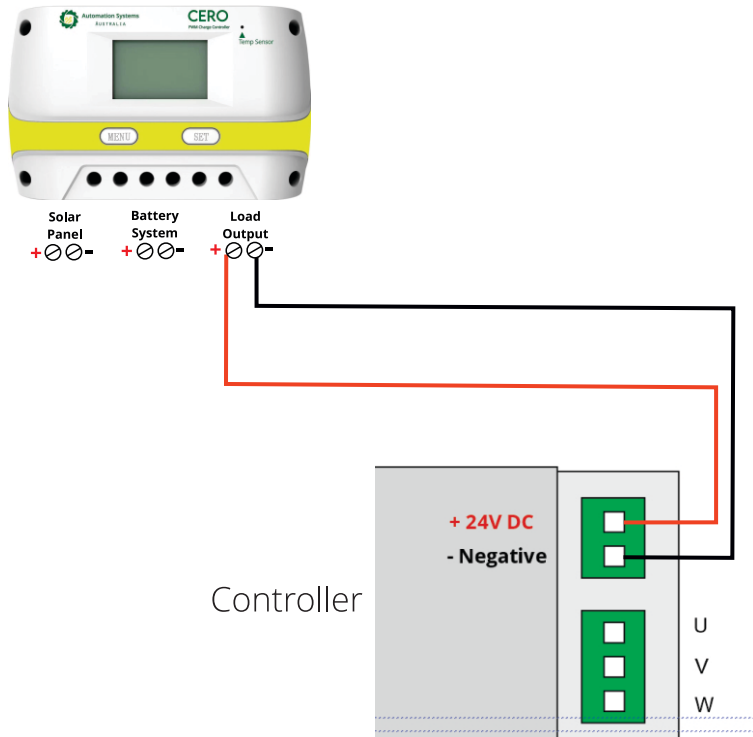


Step 3: Battery Installation

Batteries wired in series in the base of the operator



Step 4: Connection to the gate control board



Step 5: Powering On and Validations



The Cero Solar Regulator by default is Auto-Detecting for the voltage setting and battery type, **no changes to its menu settings are required.**

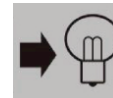
The regulator will Auto-Enable the load output upon first powering On but can manually be toggled to ON/OFF using the SET button.



Solar Panel is outputting to the batteries



Battery Status



Load Output is ON and Sending Power to the Gate Controller

If OFF press the SET button



If Flashing check your wiring connections and press SET again.