



Suitable Cutting Methods:

- * Circular Saw (aluminium cutting blade)
- * Band Saw

ALWAYS PROTECT YOURSELF AND WEAR PPE

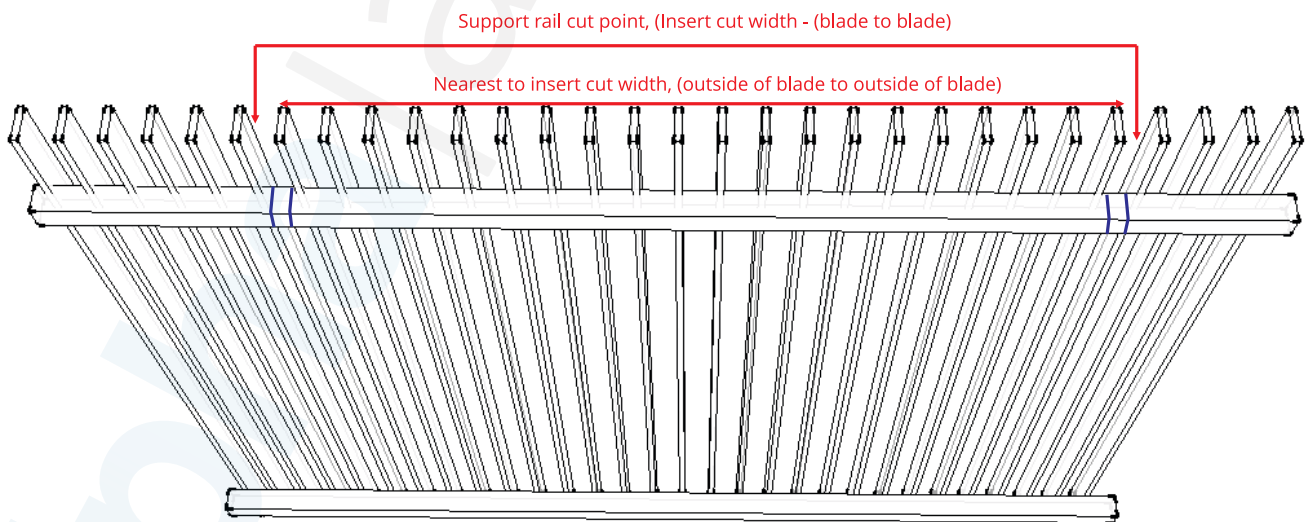
Gate Width in mm (One Section)	Internal Clear Width (mm)	Insert Cut Width (mm)
880	800	780
1485	1405	1385
1785	1705	1685
2085	2005	1985
2385	2305	2285

Gate Width in mm (TWO Sections)	Internal Clear Width (mm) (TWO Sections)	Insert Cut Width (mm) (TWO Sections)
3570	1725	1705
4170	2025	2005
4600	2240	2220

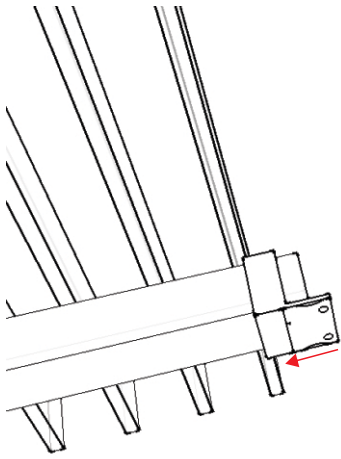
Step 1

Taking note of your insert cut width according to the gates width FIRST measure from outside of blade to outside of blade to the nearest measurement to the cut width and note this measurement.

ex. Insert cut width is 1385mm. and the nearest measurement from outside blade to outside blade is 1305mm

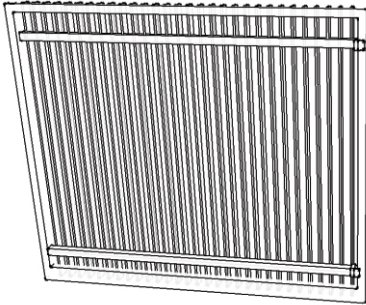


Now take the difference in measurement between insert cut width and the outside to outside of blade and divide it by 2. This measurement difference is how far to cut into the support rail for a centred section.



Step 2

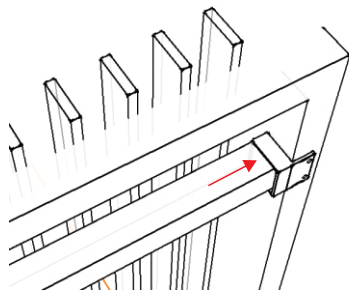
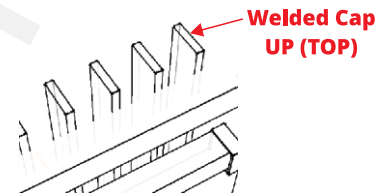
install all four securing brackets to the support rails and push them hard up against the blade. Note the fixing holes should be furthest away from the blades as they will screw to the back of the gate frame.



Step 3

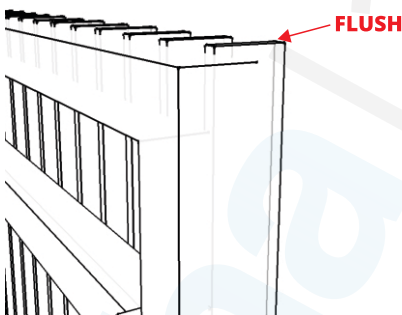
Insert the blade section into the gate ensure to minimize scratching, this will be a tight fit due to the securing brackets, Inserting one side first on an angle followed by the second side can assist.

ENSURE THE WELDED CAP END OF THE BLADES IS FACING UPWARDS



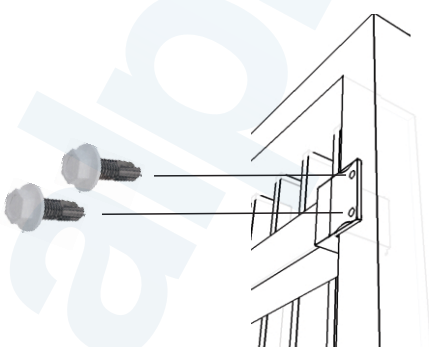
Step 4

Push the securing brackets ALL THE WAY towards the gate side rail to lock in the fence panel.



Step 5

Make any adjustments now to ensure the CAPPED END TOP OF THE BLADES is flush with the top of the gate frame.



Step 6

Secure the panel in place using self drilling screws.